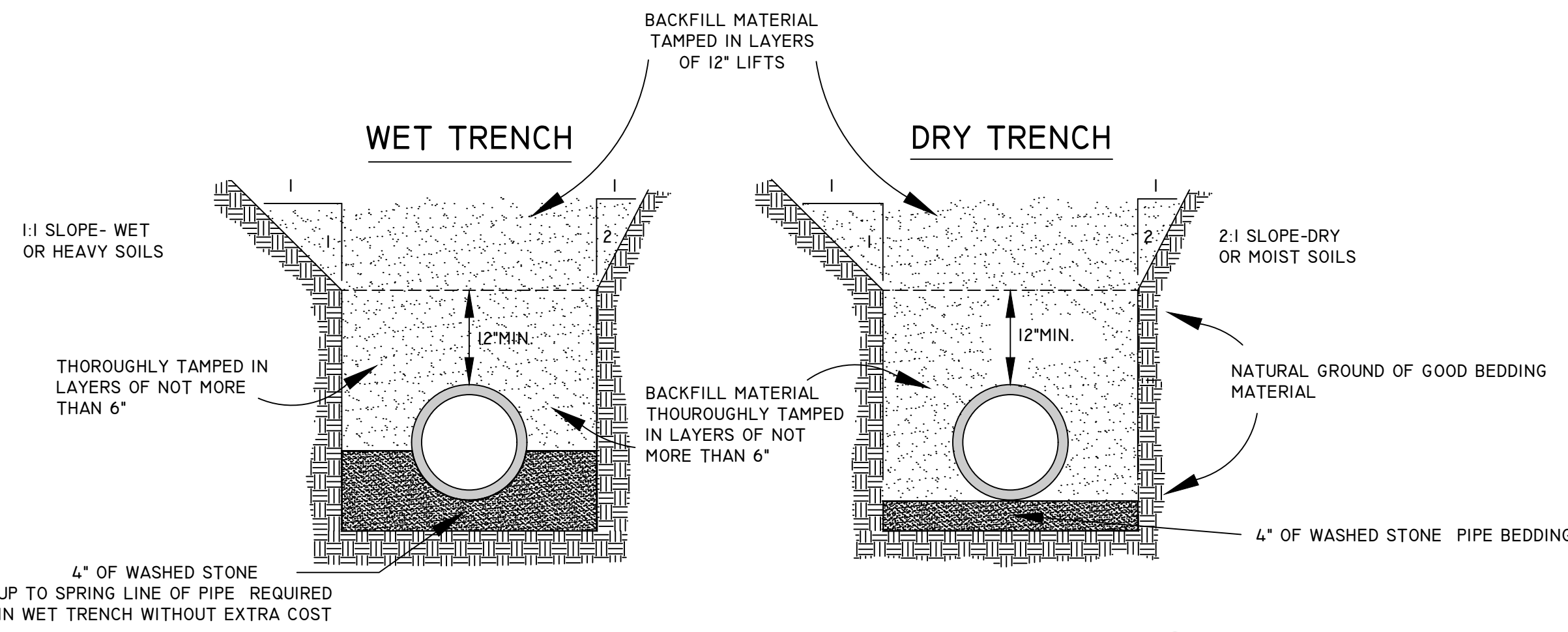


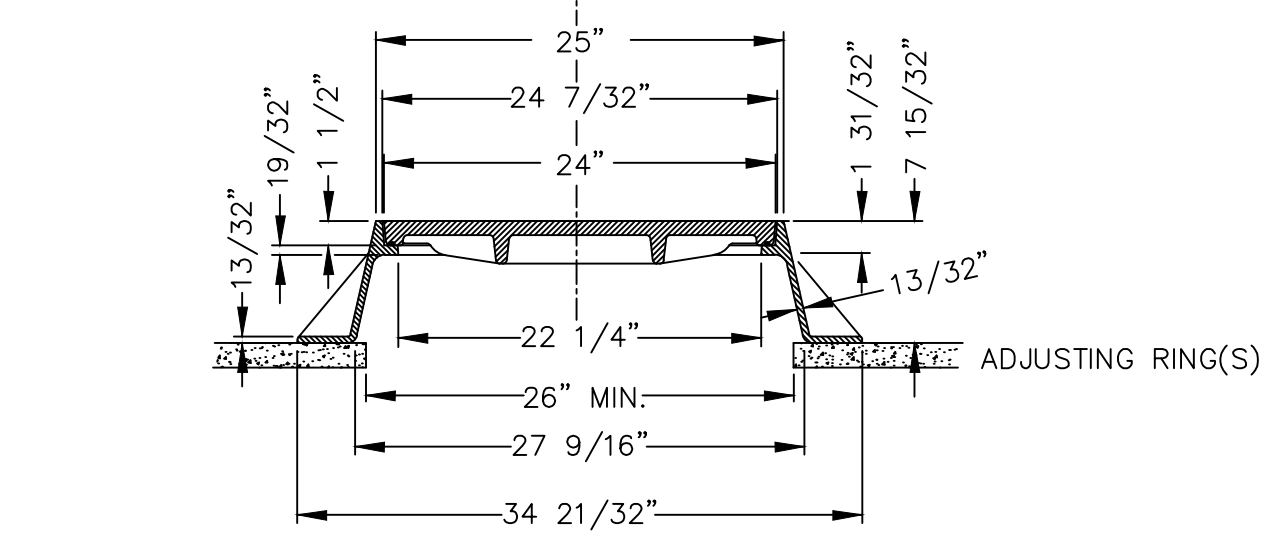
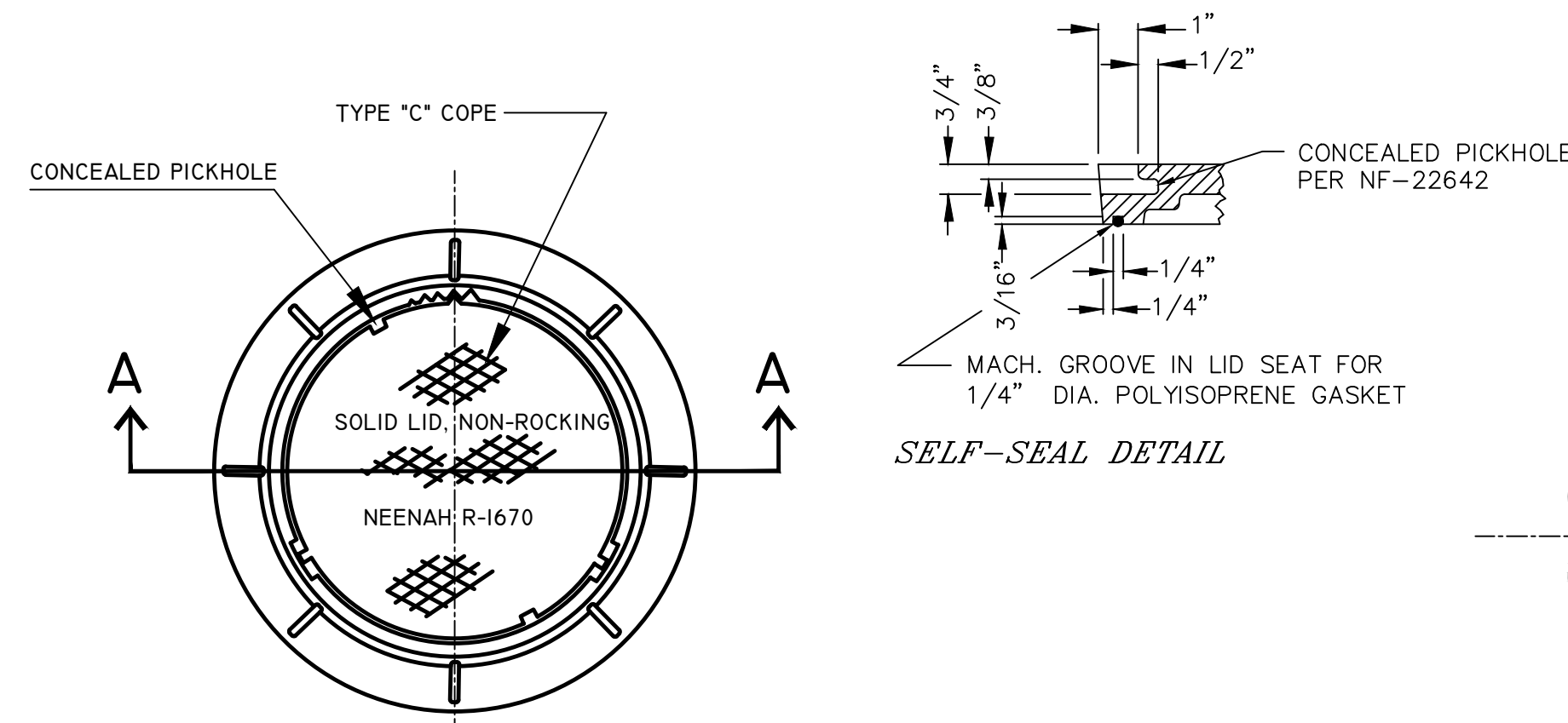
**DRAWING**  
**NOT TO SCALE**

**SEWER PIPE JOINT MATERIALS**  
CONCRETE PIPE-RUBBER GASKET (ASTM C-443)  
PVC PIPE- ELASTOMETRIC GASKET (ASTM D-3212 & F-477)



**DETAILS OF SEWER TRENCHES**

A  
D-2

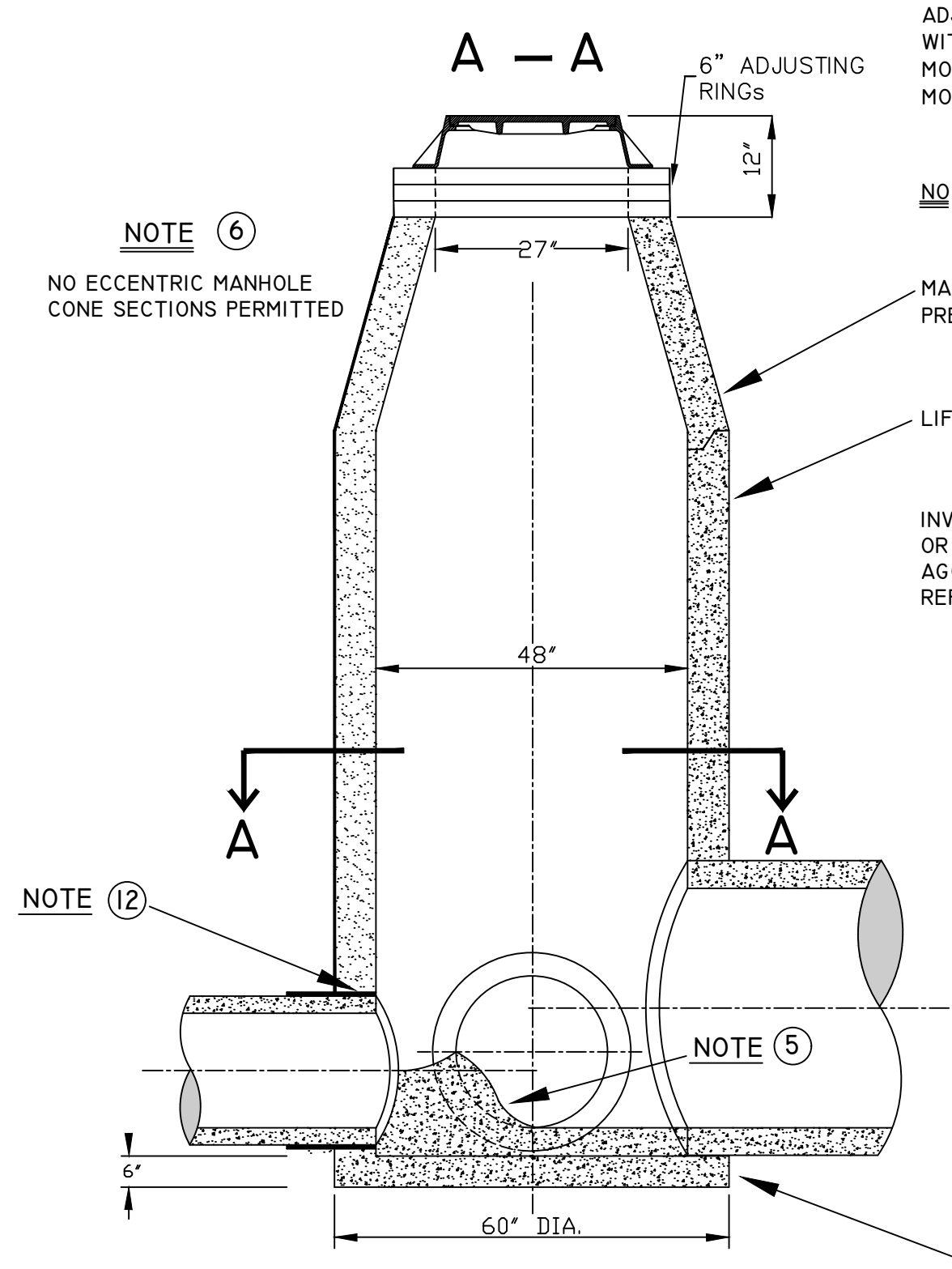
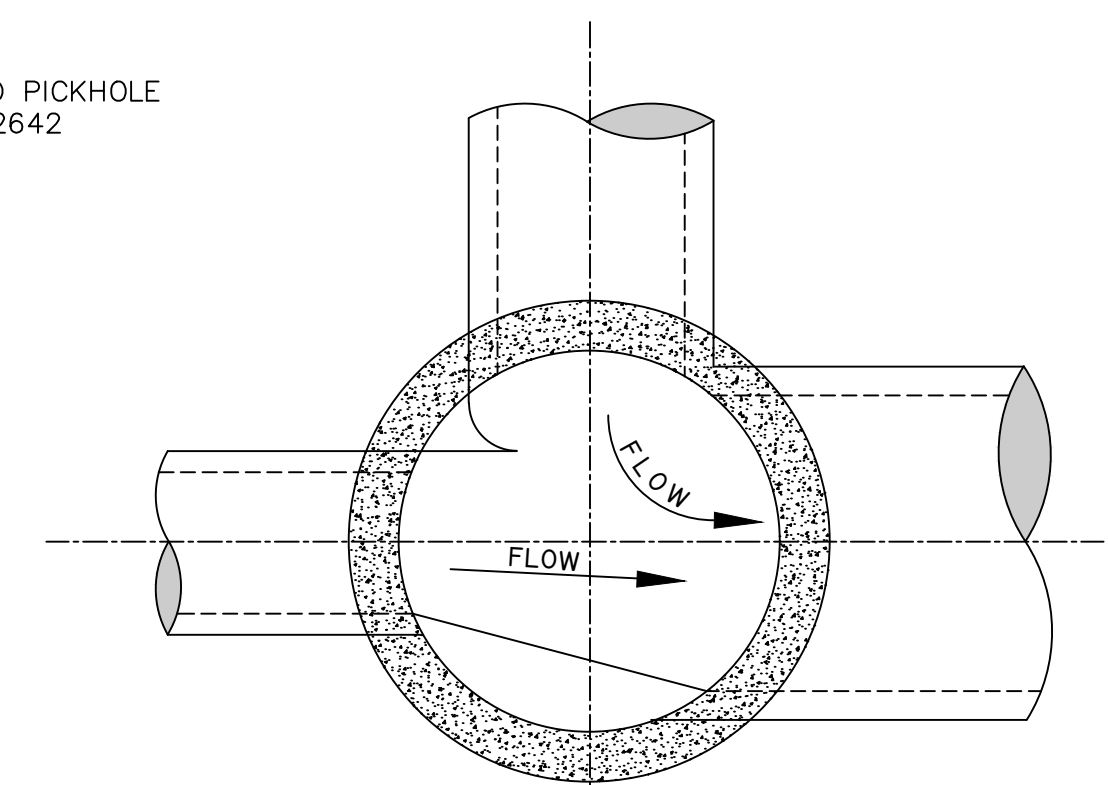


**DETAIL OF MANHOLE FRAME & COVER**  
(MINIMUM WEIGHT 324 LBS. TOTAL)  
NEENAH R-1670 OR EQUAL

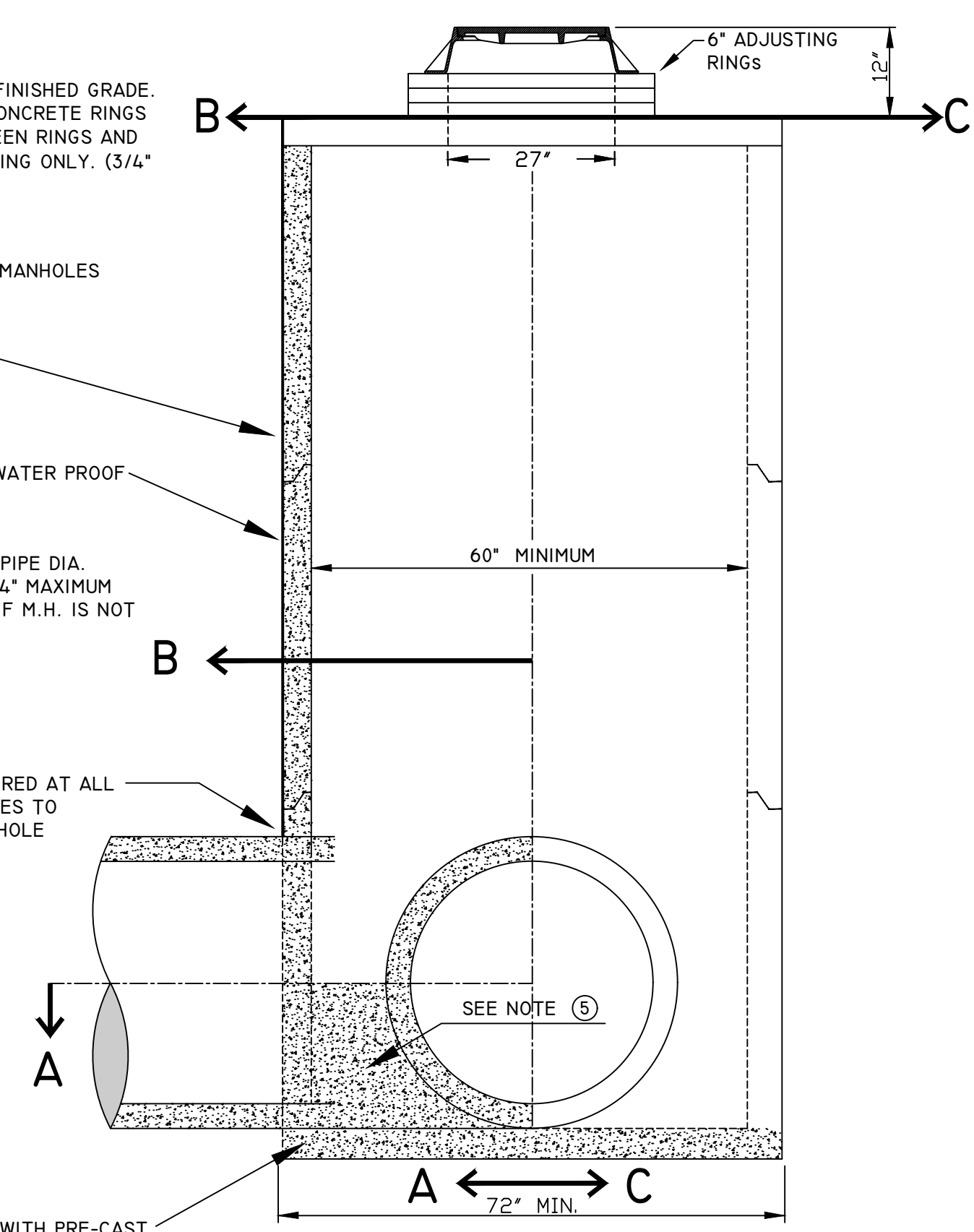
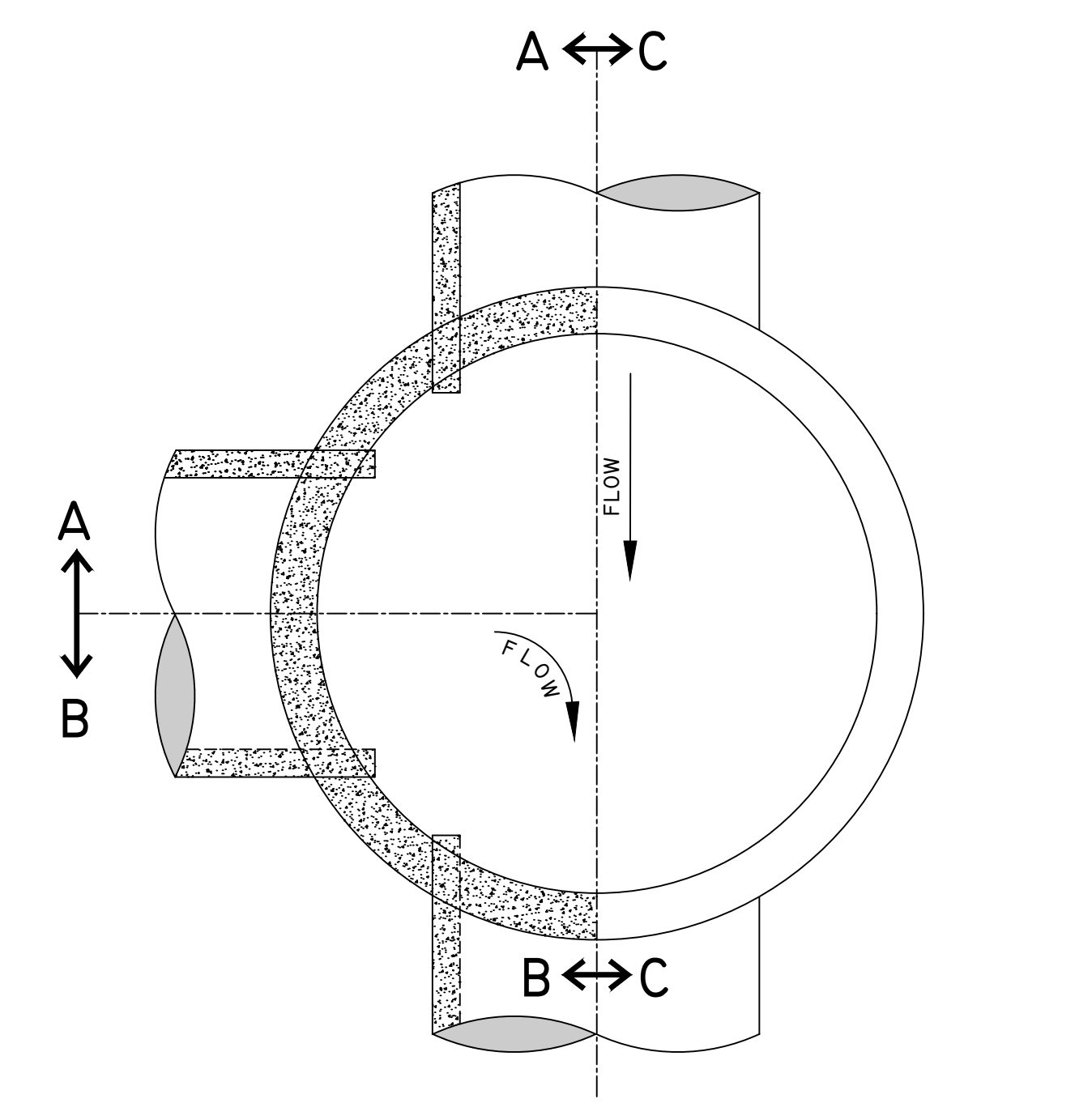
B  
D-2

NOTE  
OPENING FOR FRAME & COVER SHALL BE CENTERED ON MANHOLES WITH FLAT TOPS.

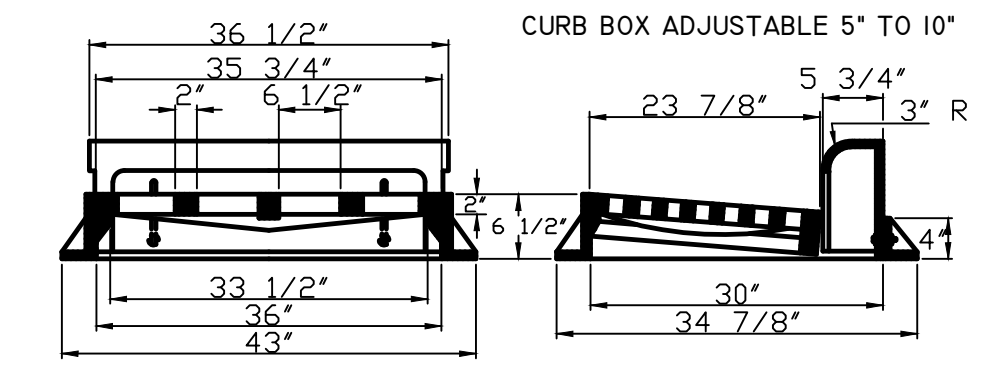
NOTE 12  
THE CONNECTION OF ALL PVC STORM WATER PIPE, SIZE 6" TO 30", TO PRECAST MANHOLES OR OTHER STRUCTURES SHALL EMPLOY A WATERTIGHT, FLEXIBLE PIPE-TO-MANHOLE CONNECTOR  
THE CONNECTOR SHALL CONSIST OF A SINGLE RUBBER GASKET, SHALL BE CONSTRUCTED SOLELY OF SYNTHETIC OR NATURAL RUBBER, SHALL MEET/EXCEED THE REQUIREMENTS OF ASTM C 923, AND SHALL HAVE A MINIMUM TENSILE STRENGTH OF 1600 PSI  
THE CONNECTOR SHALL BE THE SOLE ELEMENT RELIED ON TO ASSURE A FLEXIBLE, WATERTIGHT SEAL OF THE PIPE TO THE STRUCTURE



C  
D-2  
**DETAILS OF STANDARD MANHOLE FOR 30" PIPE OR SMALLER**

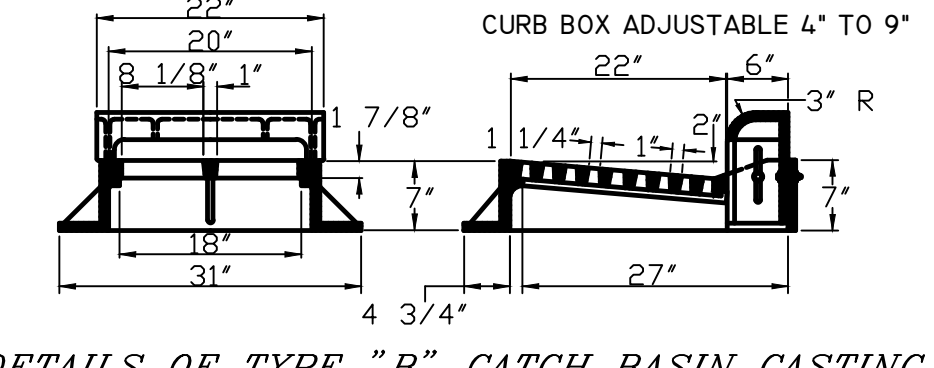


D  
D-2  
**DETAILS OF STANDARD MANHOLE FOR 36" PIPE OR LARGER**



**DETAILS OF TYPE "A" CATCH BASIN CASTING**  
NEENAH R-3246-A OR EQUAL  
MINIMUM WEIGHT 649 LBS. TOTAL

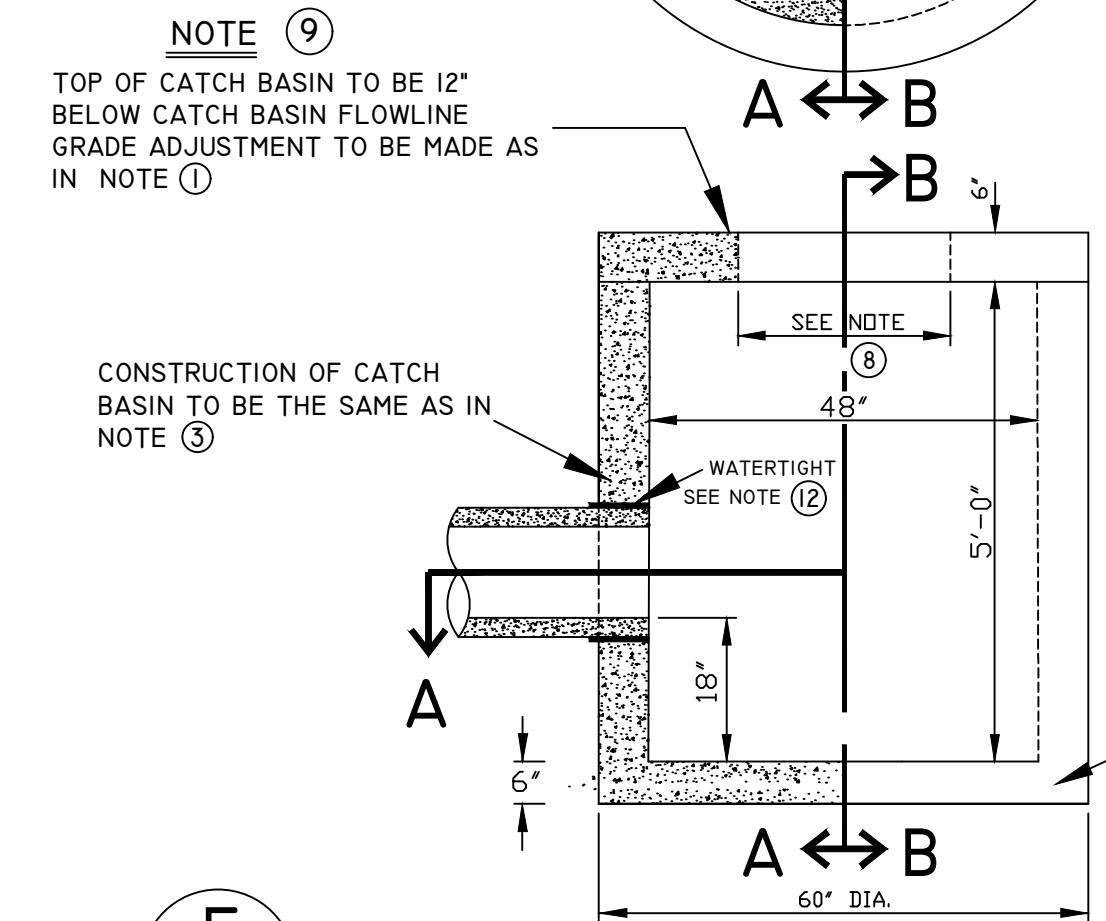
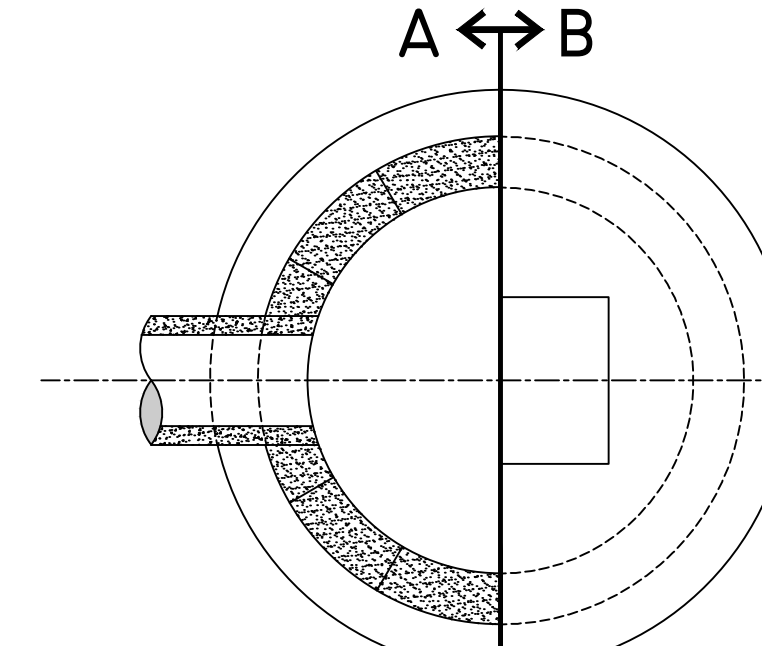
F  
D-2



**DETAILS OF TYPE "B" CATCH BASIN CASTING**  
NEENAH R-3234-B1 OR EQUAL  
MINIMUM WEIGHT 400 LBS. TOTAL

NOTE:  
"DUMP NO WASTE DRAINS TO RIVER"  
SHALL BE MOLDED IN ALL CASTINGS FACE

NOTE 8  
RECTANGULAR OPENING IN TOP  
"B" TYPE CASTING - 27" X 22"  
"A" TYPE CASTING - 36" X 30"



E  
D-2  
**DETAIL OF TYPE "A" OR "B" CATCH BASIN**

PROJECT No.	<b>STORM SEWER DETAILS</b>		
LOCATION	<b>D-2</b>		
RESOLUTION	DATE	DATE	DATE
<b>ENGINEERING DEPT.</b>			
<b>City of LaCrosse, Wis.</b>			
FIELD NO.	DESIGNED	BY	DATE
BOOK	DRAWN	PRELIMINARY	
NUMBER	CHECKED	FINAL	
PAGE	APPROVED		
	REVISIONS	M.D.F.	J.M.C.
		9/03	2/2019
		4/06	8/2019
SCALE: NONE	M.D.F.	12/10	J.M.C.
	M.D.F.	4/13	11/2023
SHEET NO.	TOTAL SHEETS		